

KITE WEATHER

Designed by Robert Kaufman Fabrics

Featuring
whatever the weather
theredthread 



Finished quilt measures: 66" x 88"

Shown in "rainbow" colorstory. For alternate "cloud" colorstory see pages 7-8.

Pattern Level: Confident Beginner

"I have basic block construction down"

ROBERT KAUFMAN
F A B R I C S

Fabric and Supplies Needed

Color	Fabric	Name/SKU	Yardage	Color	Fabric	Name/SKU	Yardage
	A	ALL-15443-263 RAINBOW	2/3 yard		G	ALL-15438-263 RAINBOW	7/8 yard
	B	ALL-15441-263 RAINBOW	1 yard		H	ALL-15437-263 RAINBOW	3/8 yard
	C	ALL-15440-246 WATER	1/4 yard		I	K001-84 Kona Persimmon	1/2 yard
	D	ALL-15440-147 TANGERINE	1/4 yard		J	K001-419 Kona Azalea	2/3 yard
	E	ALL-15440-110 HOT PINK	1 yard		K	ALL-15442-263 RAINBOW	1-2/3 yard
	F	ALL-15440-43 LEAF	7/8 yard	You will also need: 5-1/3 yards Backing Fabric			

Copyright 2015, Robert Kaufman
 For individual use only - Not for resale

Notes Before You Begin

- Read through all of the instructions before beginning.
- All of the seam allowances are 1/4 unless otherwise noted.
- Press seam allowances open unless otherwise noted.
- Width of fabric (WOF) is equal to at least 40" wide.
- Remember to measure twice and cut once!
- Half-rectangle triangle has been abbreviated to HRT

Cutting Instructions

Fabric A

Trim panel to 21-1/2" x 40-1/2"

Fabric B

Cut five strips 5" x WOF.

Sub cut four pieces 5" x 8-1/2".

Sub cut thirty-six pieces 5" x 4"

Fabric C

Cut one strip 5" x WOF.

Sub cut nine pieces 5" x 4"

Fabric D

Cut one strip 5" x WOF.

Sub cut 9 pieces 5" x 4"

Fabric E

Cut one strip 5" x WOF.

Sub cut nine pieces 5" x 4"

Sub cut four squares 2-1/2" x 2-1/2" for cornerstones.

Cut nine strips 2-1/2" x WOF for binding

Fabric F

Cut one strip 5" x WOF

Sub cut nine pieces 5" x 4"

Cut 7 strips 2-1/2" x WOF

Sew all strips end to end.

From this, cut two strips 2-1/2" x 67-1/2", and two strips 2-1/2" x 44-1/2"

Fabric G

Cut 6 strips 4" x WOF

Sew all strips end to end.

From this, cut two strips 4" x 44-1/2" and two strips 4" x 60-1/2"

Fabric H

Fussy cut two strips 3-1/2" x 39-1/2", centering the printed blocks

Fabric I

Cut 5 strips 2-1/2" x WOF

Sub cut two strips 2-1/2" x 37-1/2"

Sew remaining strips together and make two strips 2-1/2" x 56-1/2"

Fabric J

Cut 5 strips 3-1/2" x WOF

Sub cut 4 pieces 3-1/2" x 5"

Sew remaining strips end to end. Cut to form two strips 3-1/2" x 77-1/2"

Fabric K

Cut 8 strips 6-1/2" x WOF

Sew strips together, end to end, in pairs. From these, cut:

Two strips 6-1/2" x 77-1/2"

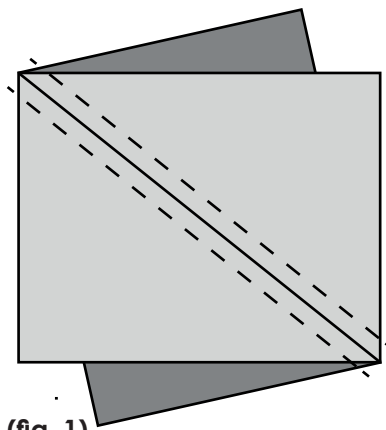
Two strips 6-1/2" x 66-1/2"

Assembly Instructions

Step 1. Assemble the HRT Blocks

Divide 5" x 4" Fabric B pieces into two stacks of eighteen.

Stack 1: On the wrong side of the fabric, draw a line on the diagonal from bottom left to top right. Pair right sides together with 5" x 4" Fabric C and Fabric D pieces, use fig. 1 to line up the fabric. Sew a 1/4" seam on either side of the drawn line, cut apart on the drawn line & trim HRTs to 4-1/2" x 3-1/2".



(fig. 1)

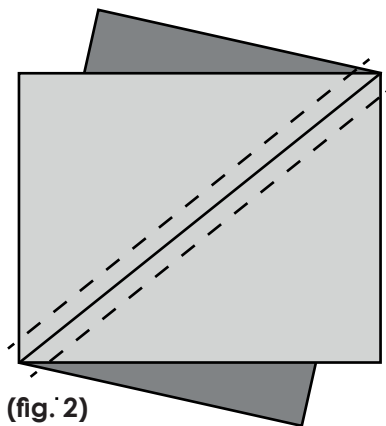
Light gray: rain drop print

Dark gray: flower print (blue & orange)

Solid line: marked line

Dashed line: stitch line 1/4" from marked line

Stack 2: Repeat process from above, but mark from bottom right to top left on the back of all Fabric B pieces and pair with 5" x 4" Fabric E and Fabric F pieces. See fig. 2.



(fig. 2)

Light gray: rain drop print

Dark gray: flower print (pink & green)

Solid line: marked line

Dashed line: stitch line 1/4" from marked line

Referring to Quilt Assembly Diagram (page 6) for color placement, sew four HRT blocks to form a kite unit. (fig. 3) Kite units will measure 6-1/2" x 8-1/2". (See page 8 for Quilt Assembly Diagram for alternative color story.)



(fig. 3)

Sew four kite units together along longest side to create upper border, referring to Quilt Assembly Diagram (page 6 for rainbow color story or page 8 for cloud color story) for fabric orientation. Repeat to create lower border. Sew Fabric B 5" x 8-1/2" pieces to either end of each border.

Sew five HRT blocks together along short side to create the left border. Repeat to create right border.

Step 2. Assemble the Quilt

Note: As each border is added, press all seams away from center panel.

Sew left and right HRT borders to either side of the center panel. Sew upper and lower HRT borders to the top and bottom of the panel.

Sew 56-1/2" Fabric I strips to the left and right sides of the quilt. Sew 37-1/2" Fabric I strips to the top and bottom of the quilt.

Sew 60-1/2" Fabric G strips to the left and right sides of the quilt. Sew 44-1/2" Fabric G strips to the top and bottom of the quilt.

Sew 67-1/2" Fabric F strips to the left and right sides of the quilt. Sew 2-1/2" Fabric E cornerstones to either end of the 44-1/2" Fabric F strips. Sew to the top and bottom of the quilt.

Sew two 3-1/2" x 5" Fabric J pieces to either end of both Fabric H strips. Resulting strip should measure 48-1/2". Sew strips to the top and bottom of the quilt. Sew 77-1/2" Fabric J strip to left and right of the quilt.

Sew 77-1/2" Fabric K strips to the left and right of the quilt. Sew 66-1/2" Fabric K strips to the top and bottom of the quilt.

Your quilt top is complete. Baste, quilt, bind and enjoy!



Quilt Assembly Diagram
Rainbow Colorstory

KITE WEATHER - Cloud Colorstory

Color	Fabric	Name/SKU	Yardage	Color	Fabric	Name/SKU	Yardage
	A	ALL-15443-216 CLOUD	2/3 yard		J	K001-84 Kona Persimmon	2/3 yard
	B	ALL-15441-216 CLOUD	1 yard		K	ALL-15442-216 CLOUD	1-2/3 yard
	C	ALL-15440-246 WATER	1/4 yard	You will also need: 5-1/3 yard Backing Fabric			
	D	ALL-15440-110 HOT PINK	1/4 yard				
	E	ALL-15440-147 TANGERINE	1 yard				
	F	ALL-15440-99 CHERRY	7/8 yard				
	G	ALL-15438-216 CLOUD	7/8 yard				
	H	ALL-15437-216 CLOUD	3/8 yard				
	I	K001-1087 Kona Coral	1/2 yard				



Copyright 2015, Robert Kaufman
For individual use only - Not for resale



Quilt Assembly Diagram
Cloud Colorstory