

  
**Explorer's  
Belt  
Pouch**



**ROBERTKAUFMAN**  
F A B R I C S

presents  
**BOY SCOUTS OF AMERICA®**  
Fabric Collection

Download this and other FREE patterns at  
[www.robertkaufman.com](http://www.robertkaufman.com)

Boy Scouts of America®, the Universal Emblem, Be Prepared®, are either registered trademarks or trademarks of the Boy Scouts of America™ in the United States and/or other countries. Manufactured under license. All rights reserved.



# Explorer's Belt Pouch

Two-pocket pouch slides on to belt to hold knife and mini flashlight or other small necessities for camping.

## Fabric :

\*\* Fabric is directional so check direction when you fold the pockets up and the flap down.

- 1 Fat Quarter cut (1) 12" x 18" rectangle for pouch body
- cut (1) 6" x 6" square for belt guide

## Additional supplies:

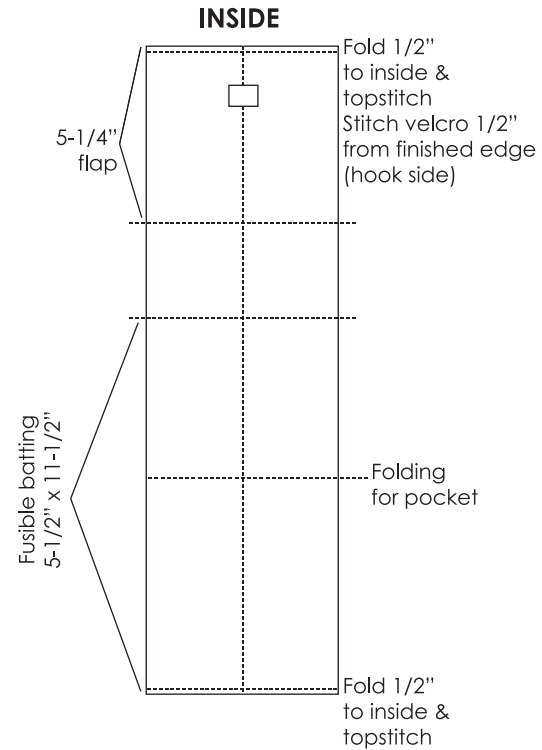
- Fusible batting- cut (1) 5 1/2" x 11 1/2" rectangle
- cut (1) 5" x 2 1/2" rectangle
- 1" Velcro loop and hook

## Refer to illustrations as you:

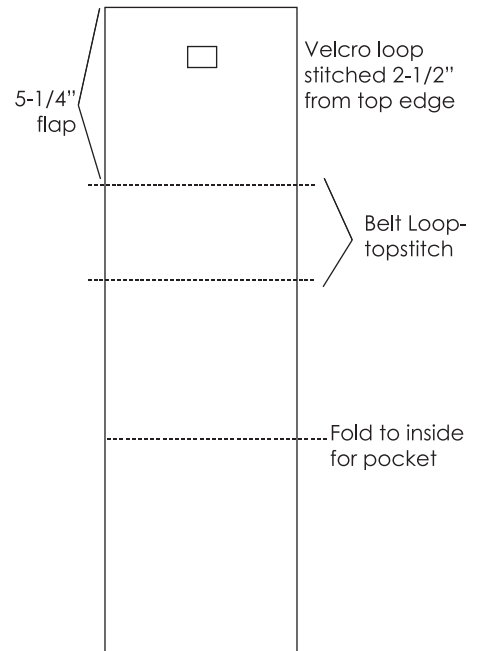
1. Fold 12"x 18" rectangle in half RST, serge or sew together using 1/4" seam allowance, down long side.
2. Turn right side out, centering seam down inside of tube and press.
3. Insert fusible batting and press.
4. Fold 1/2" seam allowance to inside at top and bottom and press. Sew velcro hook strip to inside.
5. Topstitch.
6. Repeat for belt guide

## Referring to illustrations for placement and stitching line measurements:

1. Sew Velcro loop to back of pouch.
2. Topstitch belt guide to back of pouch.
3. Fold bottom pocket up and topstitch sides 5-1/4" from top edge starting 1" from top of pocket, back stitch at top and bottom for security.
4. Sew pocket line 2 1/2" from one side. You will have two compartments in the pouch.
5. Top stitch pocket flap-do not sew belt guide shut when you topstitch.
6. Sew Velcro loop to inside of top flap- @ 2 or 2 1/2" from top edge



**OUTSIDE**  
17" after end seams folded & topstitched closed



**INSIDE VIEW**

